



TADIRAN AIROW 3™

Dry Hydrogen Peroxide Aerosol Disinfectant

Any Cruise Cabin Can Be
a Safe Place.

Tadiran is Leading the Future of Air

Our vision is to have a positive impact on people's health and quality of life through innovative, environmentally friendly technologies that provide improved indoor air.

For over 60 years, as an industry leader, Tadiran Group has applied its engineering knowledge to the development and manufacture of world-class trusted air conditioners. Now, we are putting our expertise towards air quality technologies, because nothing is more important than the air we breathe.

How can you ensure that your next guests will enter in a safe and fresh cabin to enjoy their dream vacation?

By surrounding them with an atmosphere of healthy air. All this is possible by continuously sanitizing the cabin environment through its fan coil air supply stream through our dry hydrogen peroxide generator. Thanks to the maintenance free TADIRAN AIROW 3™, every cruise will start with the highest standard of Indoor Air Quality for your travelers.

This device is maintenance free and its "plug & play" configuration make it ideal for new installation and retrofit of existing systems.

The TADIRAN AIROW 3™ is certified ozone-free and does not emit harmful radiation or harmful gases, so it does not pose any threat to the health of the operator during maintenance of the fan coil unit. In addition, there is no need for serious modification of existing equipment.

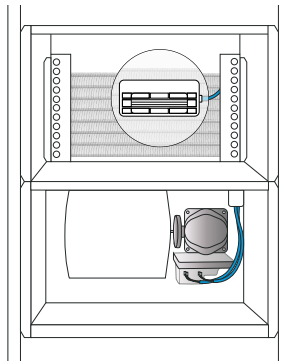
Welcome to the future of air.



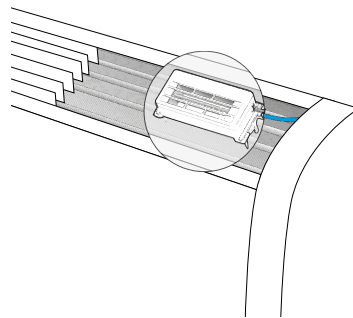
TADIRAN AIROW 3™

Dry Hydrogen Peroxide Aerosol Disinfectant

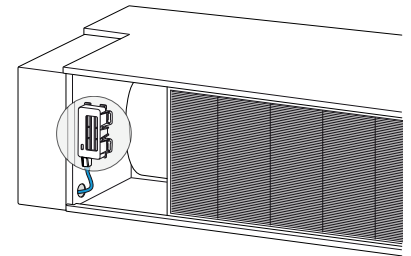
Cabin fan coil



Wall fan coil



Ceiling fan coil
bracket kit needed*



*see page 6

Indoor Air Quality Matters

A Remedy Against Harmful Pathogens

Modern times has heightened awareness of the importance of indoor air quality in our lives. We spend most of our days indoors and according to studies, indoor air can be up to 5 times more polluted than outdoor air.

Introducing TADIRAN AIROW 3™ a unique Dry Hydrogen Peroxide purifier that reduces airborne pathogens. It is an effective, robust air purification device.

TADIRAN AIROW 3™ device provides powerful air purification, eliminating a wide range of known aerosolized pathogens including viruses, bacteria, and mold. It has no ion emission, requires no maintenance, is plug-and-play, and consumes very little energy.



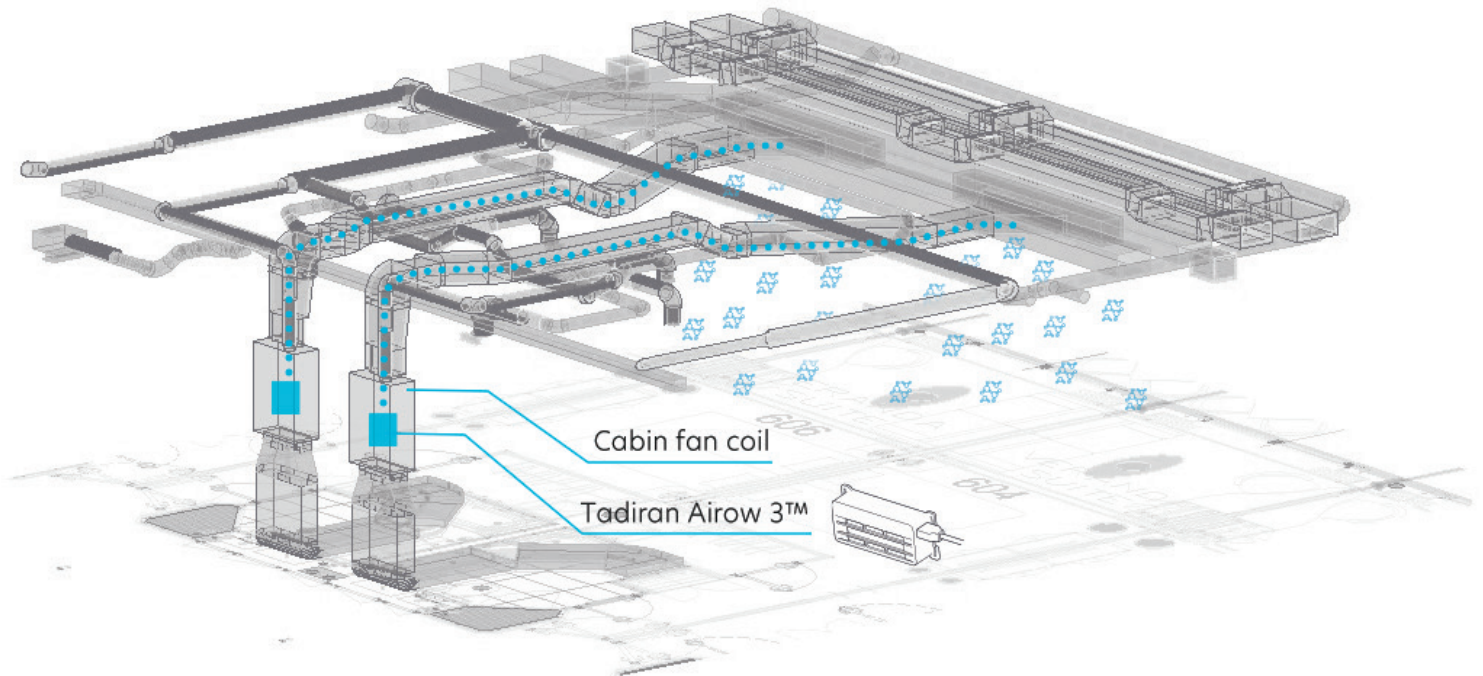
TADIRAN AIROW 3™

Pathogens Disinfecter

TADIRAN AIROW 3™ is a H_2O_2 based air-purifier for cabin fan coil units. It is a Zero Ozone Verified³ device, requires no maintenance, and energy consumption is negligible.

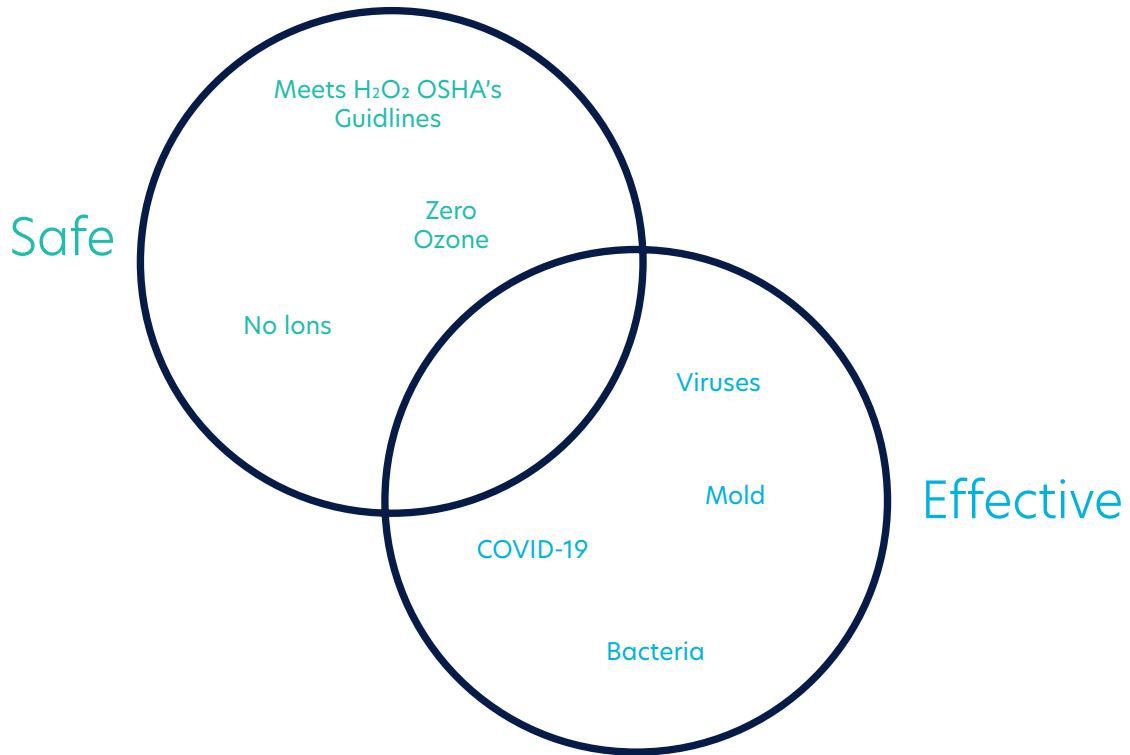
How it Works

TADIRAN AIROW 3™ uses a discharge current to break apart O_2 (Oxygen) molecules into two separate O radicals. The free oxygen radicals combine with water (H_2O) molecules in the airflow, transform into purifying Dry Hydrogen Peroxide (H_2O_2). The Hydrogen Peroxide is then distributed through the ducted system travelling into the conditioned space thus eliminating aerosol pathogens.



WHY CHOOSE WHEN YOU CAN FUSE?

The Effective and Safe Choice



H₂O₂
Patented Technology



Ozone Free⁵



Plug & Play
Installation⁴



Highly Effective
Against Biological
Pathogens



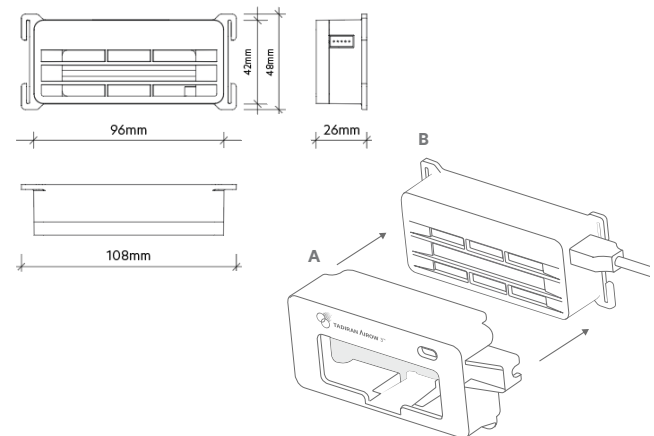
Zero
Maintenance



Low Electricity
Usage

PRODUCT SPECS

Specification Type	Title	Value
Electrical	Power Supply Input Voltage	100 to 240 VAC 50/60 Hz
	Power Supply Output Voltage	12 VDC \pm 10%
	Device Power Consumption	1 W Max
Mechanical	Weight	100g
	Dimensions	108 x 48 x 26mm
	Housing Material	ABS Plastic
	Color	White
Environment	Operation Temperature	-5°C to +55°C
	Operation Humidity (Non-Condensing)	20%-85%
	Max Air Flow Rating	2720m ³ /h
Features	Maintenance Free	Zero Maintenance
	LED Indication	Green: Proper Operation / Red: Failure
Gas Emission	Dry Hydrogen Peroxide Concentration	\leq 15 ppb
	Ozone Concentration	\leq 5 ppb



*bracket kit

BACKED BY SCIENCE

Bioaerosol Type	Species/Protocol	Testing Lab	Results
Virus	RNA Virus MS2 Bacteriophage Chamber size: 1m ³ , after 60 min	Aerosol Research and Engineering Laboratories, USA	99.994%
	SARS.COVID.2 chamber size: 16m ³ , after 60 min	Innovative Bioanalysis Labs, USA	99.93%
	Mastadenovirus A	Reborn Lab, Italy	>99.9%
Bacteria	Streptococcus pyogenes (Group A) Chamber size: 36m ³ , after 120 min	Innovative Bioanalysis Labs, USA	100%
	Staphylococcus Epidermis vegetative (+) Chamber size: 1m ³ , after 60 min	Aerosol Research and Engineering Laboratories, USA	99.994%
	Staphylococcus aureus	Reborn Lab, Italy	>99%
Mold Spore	Blue Mold (Penicillium Citrinum) Aerosolized Chamber size: 25m ³ , after only 3 hours	Kitazao Laboratory, Japan	99,4%
	Apergillus fumigatus	Reborn Lab, Italy	>99%
Ozone Emission	UL 867 Section 40 UL 2998	INTERTEK	<5 ppb Tested



TADIRAN AIROW 3™ device was tested in the US-based internationally recognized laboratory Innovative Bioanalysis, which is BSL3 accredited. | TADIRAN AIROW 3™ reduced the aerosol of Streptococcus pyogenes in 36 cubic meter test chamber, by 100% within 120 min. | Independent tests commissioned by Tadiran showed that TADIRAN AIROW™ technology eliminated known aerosolized pathogens under optimal testing conditions. To learn more about the tests, visit www.tadiran-international.com/scientific-testing. | Only qualified and licensed HVAC technicians may install TADIRAN AIROW™. | TADIRAN AIROW™ is verified as zero ozone. Does not emit more than 0.005PPM as tested per UL 867. | World Health Organization EPA report on the environment <https://www.epa.gov/report-environment/indoor-air-quality>. Pre COVID-19. | TADIRAN AIROW 3™ reduced detected SARS-CoV-2 aerosol levels by 99.93% within 1 hour (16 cubic meter test chamber). | TADIRAN AIROW 3™ reduced MS2 levels by 99.994% in 1 hour (1 cubic meter test chamber). | TADIRAN AIROW 3™ reduced detected Bacteria Staphylococcus epidermidis aerosol levels by 99.994% within 1 hour (1 cubic meter test chamber). | TADIRAN AIROW 3™ reduced Aerosol of Blue Mold by 99.4% within 3 hours in a 25m³ chamber. | TADIRAN AIROW 3™ creates <15 ppb H₂O₂ based on a test conducted by LSC Laboratory inc. | TADIRAN AIROW 3™, tested by TUV and Intertek, does not emit more than 0.005PPM. The samples were taken at different distances from the A/C: 1, 2, 3 and 4m in a 54m³ chamber. Samples were taken every 30 min, for 4 total hours. The results presented are based on average calculation from 5 independent tests conducted with the TADIRAN AIROW 3™ devices and average value for 4m distance presented in the below plots in this presentation. | All pictures shown are for illustration purposes only. Actual product may vary.



EXCLUSIVE PARTNER FOR CRUISE SECTOR
airow-iaq.com | info@airow-iaq.com



TADIRAN

www.tadiran-international.com | info@tadiran-international.com

For more details regarding Terms and Conditions and Privacy Policy, visit our website: www.tadiran-international.com
Copyright © 2024 - Tadiran International. All rights reserved. This document may be revised by Tadiran at any time.